

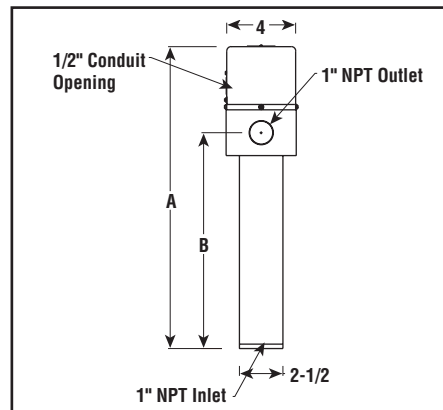
## CVCHS

### Booster Heater-Corrosion Solution Applications

- Non-metallic (CPVC) Pipe Body
- 1.5 - 3 kW
- 120 and 240V, Single Phase
- General Purpose Terminal Enclosure
- INCOLOY® Sheath Elements (75 W/In<sup>2</sup>)
- Integral Thermostat (60 - 190°F)
- Integral Automatic Cutout (Set at 195°F)



### Dimensions (Inches)



### Applications

Used to heat clean and corrosive solutions. Ideal for side-arm heating, in-line circulation and engine pre-heaters.

### Features

**Terminal Enclosure** — E1 General Purpose is standard.

**Elements** — INCOLOY® sheath elements rated 75 W/In<sup>2</sup>.

**Flange** — Stainless steel flange for corrosion resistance.

**Vessel** — CPVC pipe body material is resistant to many corrosive solutions and is ideal

for water applications. Pipe body material provides good thermal insulation, reducing heat loss.

**Thermostat** — Integral thermostat with 60 to 190°F temperature range, located inside the terminal enclosure.

**High Limit Control** — Integral automatic cutout (overtemperature control) protects against fluid or element overheat (set to open at 195°F).

**Vibration Resistant** — Vibration resistant construction to withstand vibrations typically experienced on many types of operating equipment (i.e., engines).

**Easy to Install** — Minimal size and light weight, no supporting brackets are required.

### Specifications and Ordering Information

kW	Volts	Ckt & Phase	DIM (In.)		Model	Stock	PCN	Wt. (Lbs.)
			A	B				
<b>150 lb CPVC plastic pipe body — 1 INCOLOY® element (75 W/In<sup>2</sup>)</b>								
1.5	120	1-1	17-5/16	12-3/8	CVCHS-01-01P5-E1	S	025021	3
1.5	240	1-1	17-5/16	12-3/8	CVCHS-01-01P5-E1	S	025030	3
2	120	1-1	17-5/16	12-3/8	CVCHS-01-002P-E1	S	025048	3
2	240	1-1	17-5/16	12-3/8	CVCHS-01-002P-E1	S	025056	3
2.5	120	1-1	21-5/16	16-3/8	CVCHS-01-02P5-E1	S	025064	4
2.5	240	1-1	21-5/16	16-3/8	CVCHS-01-02P5-E1	S	025072	4
3	120	1-1	21-5/16	16-3/8	CVCHS-01-003P-E1	S	025080	4
3	240	1-1	21-5/16	16-3/8	CVCHS-01-003P-E1	S	025099	4

**Stock Status:** S = stock NS = non-stock  
**To Order** — Specify model, volts, phase, kW, PCN and quantity.

### Ordering Information

To Order — Complete the Model Number using the Matrix provided.

<b>Model</b>	<b>Corrosive Solution Booster Heater</b>			
<b>CVCHS</b>	Corrosive Water Solution Circulation Heater			
<b>Code</b>	<b>Number of Elements</b>			
<b>01</b>	One			
<b>Code</b>	<b>kW</b>			
<b>01P5</b>	1.5	<b>02P5</b>	2.5	
<b>002P</b>	2	<b>003P</b>	3	
<b>Code</b>	<b>Terminal Enclosure</b>			
<b>E1</b>	General Purpose			
<b>CVCHS</b>	<b>01</b>	<b>01P5</b>	<b>E1</b>	<b>Typical Model Number</b>